

echo

BY METHVEN



Echo Slide Shower MKII

ECHO COLLECTION

The Echo range of tapware has been specially designed for New Zealand’s unique conditions.

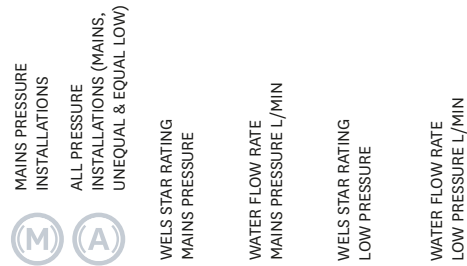
Engineered according to Methven specifications it combines high quality and convenience. This sturdily constructed range is ultra-reliable even in heavy everyday use applications. The Echo range offers solutions to suit individual preferences and interior designs.

Echo Range Features

- Reliable consistent performance
- Superior quality ceramic cartridges prevent leaking and dripping
- Echo Strata shower mixer body cast with male connections for easy installation.
- Male nipples supplied with the Minimalist range. Shower mixer with Diverter with female connection.
- Full Methven after-sales support and service.
- Must be installed in accordance with manufacturers instructions for validation of warranties.
- For detailed technical and warranty information, please visit: www.methven.com
- 5 Year warranty

WELS ratings

The New Zealand government’s Water Efficiency Labelling Scheme (WELS) aims to facilitate water conservation by helping consumers to make informed choices about their chosen product’s water efficiency. For more information, visit www.methven.com/nz/WELS



PRODUCTS	CODE	FUNCTIONS/ PROJECTIONS	MAINS PRESSURE INSTALLATIONS	ALL PRESSURE INSTALLATIONS (MAINS, UNEQUAL & EQUAL LOW)	WELS STAR RATING MAINS PRESSURE	WATER FLOW RATE MAINS PRESSURE L/MIN	WELS STAR RATING LOW PRESSURE	WATER FLOW RATE LOW PRESSURE L/MIN
Echo Minimalist Basin Mixer	EM8101		●		4	7.0	N/A	N/A
Echo Minimalist Goose Neck Sink Mixer	EM8105		●		4	7.0	N/A	N/A
Echo Minimalist Square Neck Sink Mixer	EM8104		●		4	7.0	N/A	N/A
Echo Minimalist Shower Mixer	EM8107		●		N/A	N/A	N/A	N/A
Echo Minimalist Shower Mixer with Diverter	EM8109		●		N/A	N/A	N/A	N/A
Echo Minimalist Slide Shower	EM8510	single	●		3	8.0	N/A	N/A
Echo Minimalist Bath Spout	EM9706	165mm		●	N/A	N/A	N/A	N/A
Echo Strata Basin Mixer	E8111			●	4	7.5	4	8.0
Echo Strata Sink Mixer	E8114			●	4	7.5	4	8.0
Echo Strata Shower Mixer with Diverter	E8116		●		N/A	N/A	N/A	N/A
Echo Strata Shower Mixer	E8117			●	N/A	N/A	N/A	N/A
Echo Shower Rose	E9601			●	3	8.0	2	9.5
Echo Bath Spout	E9702	194mm		●	N/A	N/A	N/A	N/A
Echo Bath Spout	E9704	150mm		●	N/A	N/A	N/A	N/A
Echo 3 Function Slide Shower MKII	E8502	three	●		3	8.0	N/A	N/A
Echo 1 Function Slide Shower MKII	E9502	single		●	3	8.5	3	6.0

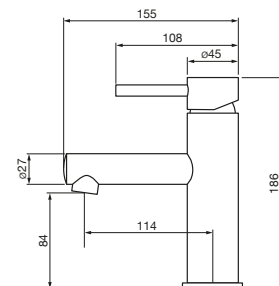
Minimalist

Echo Minimalist Basin Mixer

EM8101

Mains pressure only

Ceramic cartridge

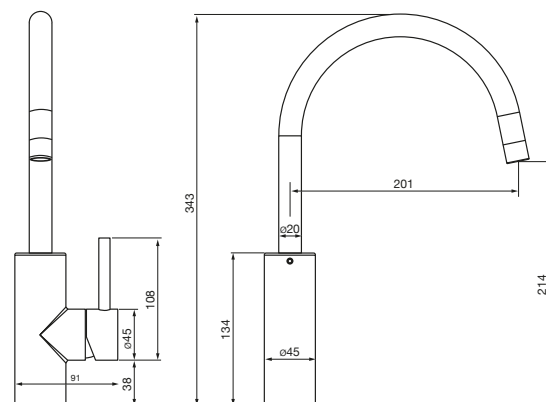


Echo Minimalist
Goose Neck Sink Mixer

EM8105

Mains pressure only

Ceramic cartridge

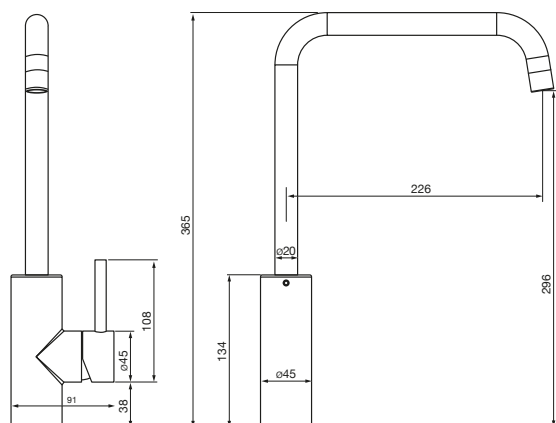


Echo Minimalist
Square Neck Sink Mixer

EM8104

Mains pressure only

Ceramic cartridge



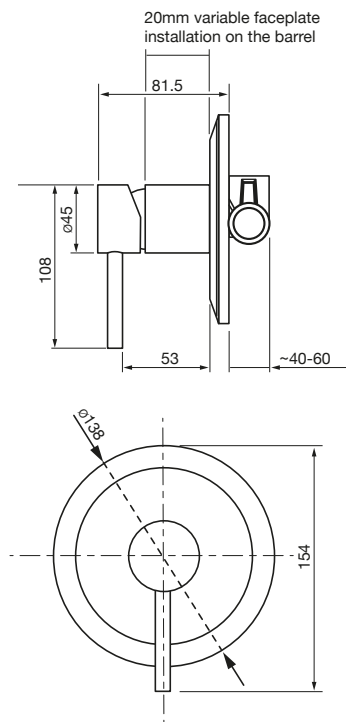
Minimalist

Echo Minimalist
Shower Mixer

EM8107

Mains pressure only

Ceramic cartridge

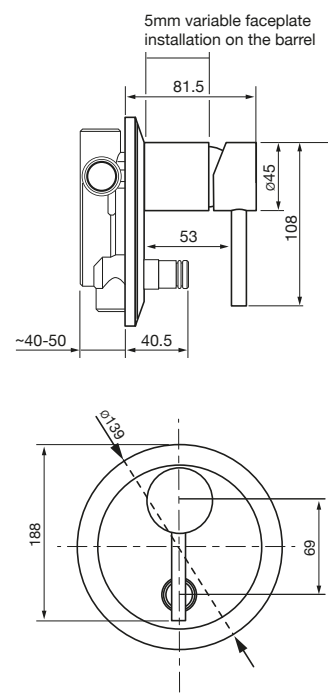


Echo Minimalist
Shower Mixer
with Diverter

EM8109

Mains pressure only

Ceramic cartridge



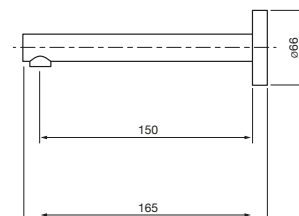
Minimalist

Echo Minimalist Spout

EM9706

All pressures (above 35kPa)

Projection 160mm



Echo Minimalist Slide Shower

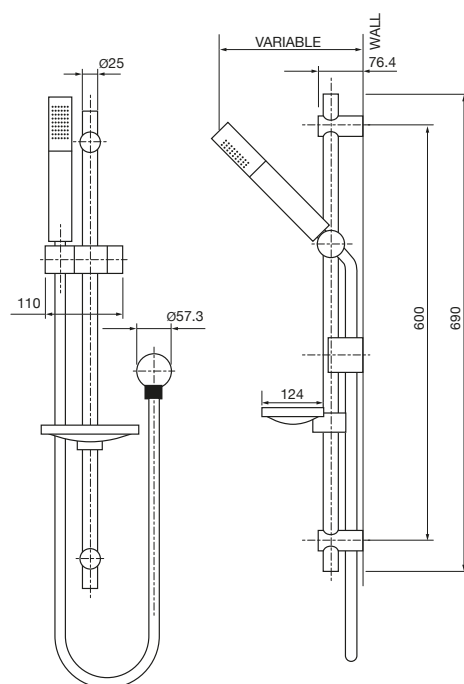
EM8510

Mains pressure only

Single function handset

Ideal for renovations

with adjustable rail

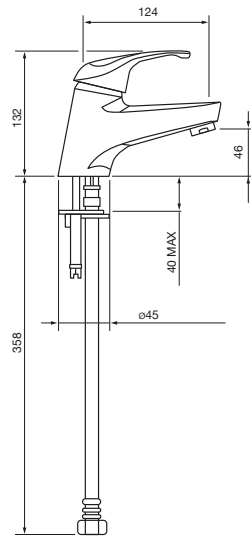


Strata

Echo Strata Basin Mixer

E8111

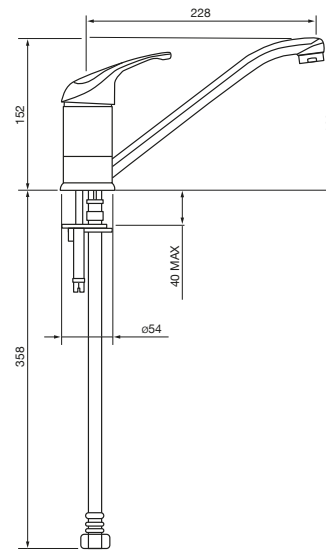
All Pressures - above 35kPa
Ceramic cartridge



Echo Strata Sink Mixer

E8114

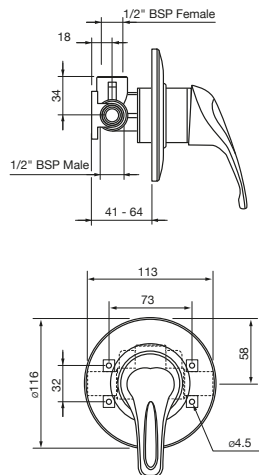
All Pressures - above 35kPa
Ceramic cartridge



Echo Strata Shower Mixer

E8117

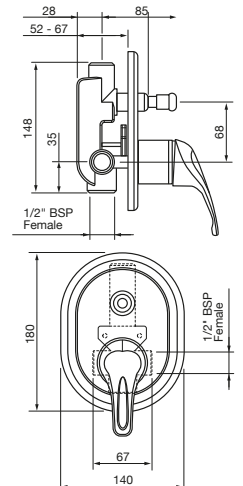
All Pressures - above 55kPa
Ceramic cartridge



Echo Strata Shower Mixer with Diverter

E8116

Mains pressure only
Ceramic cartridge



Slide Showers

Echo 3 Function Slide Shower MKII

E8502

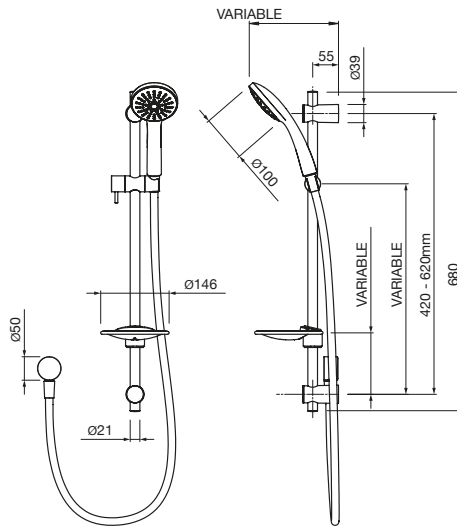
Mains pressure
Ideal for renovations
with adjustable rail



Echo 1 Function Slide Shower MKII

E9502

All Pressures - above 35kPa
Ideal for renovations
with adjustable rail

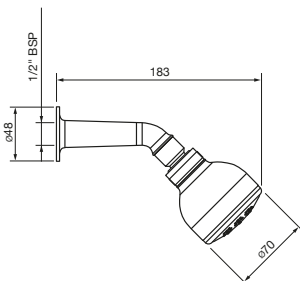


Shower and Spouts

Echo Shower Rose

E9601

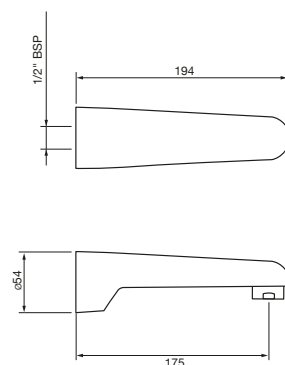
All Pressures - above 35kPa



Echo Bath Spout

E9702

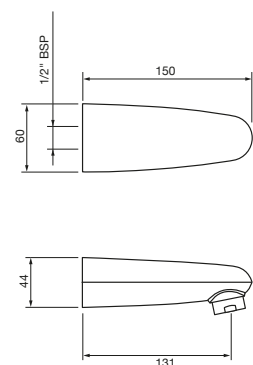
All Pressures - above 35kPa
Projection 194mm



Echo Bath Spout

E9704

All Pressures - above 35kPa
Projection 150mm



Designed, distributed and warranted by Methven Ltd

METHVEN

www.methven.com

Methven Head Office

Ph: +64 9 829 0429

Fax: +64 9 829 0439


Methven Customer Services

Freecall: 0800 804 222

Freefax: 0800 805 222

www.methven.com

Please note: While every effort is made to ensure that the details in this brochure were correct at the time of printing, Methven reserves the right to alter specifications or product from that shown.

 This brochure is printed on an environmentally responsible paper, elemental chlorine free. printed with soy-based printing inks.

© Methven Ltd 2016

280075A